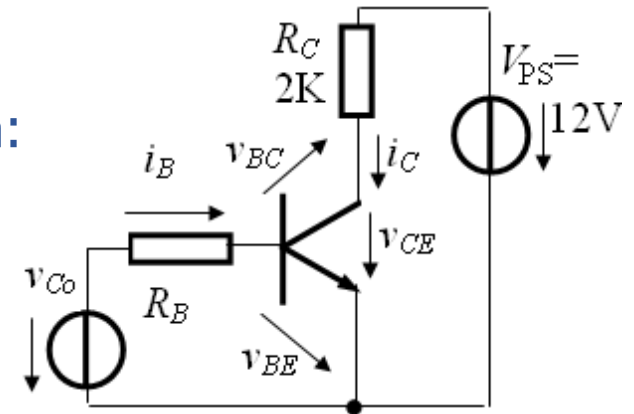


Homework 9 – BJT operation

Find the range of values for R_B , knowing that $v_{C_0} = 2.5 \text{ V}$, $\beta \in (25 \dots 100)$ and T is in:

- i) (a_F)
- ii) (exc)



Assume $v_{CE, \text{sat}} = 0.2 \text{ V}$, $v_{BE} = 0.7 \text{ V}$ for (a_F) and $v_{BE} = 0.8 \text{ V}$ for (exc).