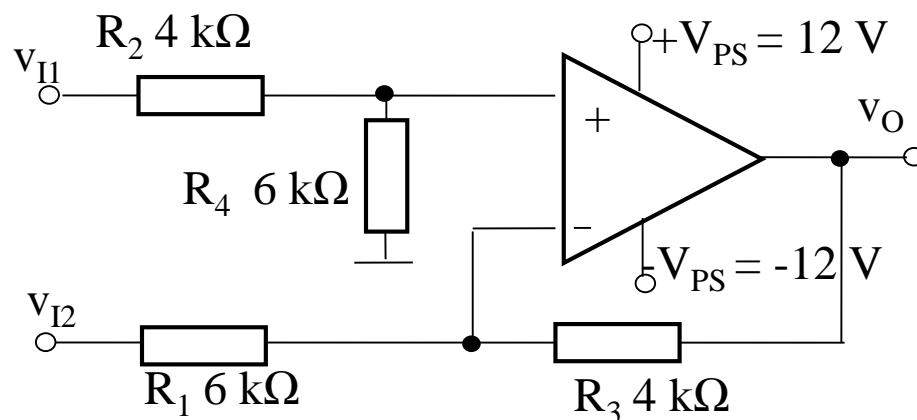


## Homework 7 – Differential amplifier with OpAmp



- What is the application of the circuit?
- What is the expression  $v_O(v_{I1}, v_{I2})$ ?
- What is the input resistance seen by  $v_{I1}$ ?
- Compute and plot  $v_O(t)$  if  $v_{I1}(t) = 5\sin\omega t$  [V]  
 $v_{I2}(t) = 6\sin\omega t$  [V]
- Resize the resistors so that:  $v_O = 2(v_{I1} - v_{I2})$